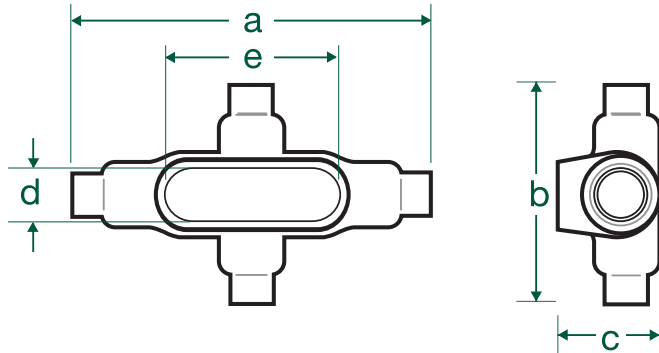


# Conduit Bodies For General Service Locations



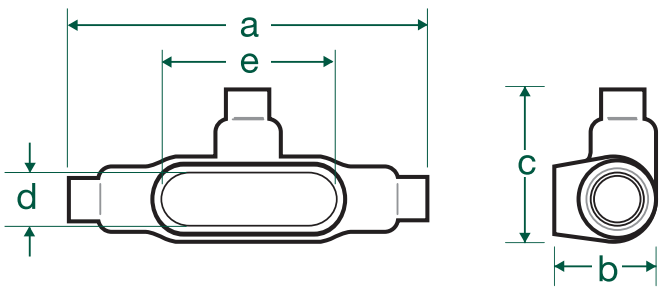
## X FORM 8

## FORM 9

Pipe Size	FERROUS CATALOG #	Nominal Weight	A	B	C	D	E	ALUMINUM CATALOG #
1/2"	X50	2.0	6.69	3.91	1.79	1.00	3.31	X50-A
3/4"	X75	2.6	7.78	4.56	2.04	1.19	3.94	X75-A
1"	X100	3.1	9.31	5.50	2.29	1.38	4.56	X150-A
1-1/4"	X125	5.2	11.00	6.63	2.67	1.75	5.31	-
1-1/2"	X150	7.5	13.38	8.25	2.51	2.13	6.50	-
2"	X200	11.7	16.25	10.25	3.60	3.00	8.56	-

## X FORM 7

Pipe Size	FERROUS CATALOG #	Nominal Weight	A	B	C	D	E	ALUMINUM CATALOG #
1/2"	X17	1.7	6.63	3.35	1.79	0.94	3.19	X17-A
3/4"	X27	2.4	7.75	3.54	2.04	1.13	3.81	X27-A
1"	X37	2.7	9.25	4.04	2.29	1.38	4.50	X37-A
1-1/4"	X47	3.6	9.94	4.17	2.35	1.75	5.00	X47-A
1-1/2"	X57	5.0	11.19	4.67	2.60	1.94	5.44	X57-A
2"	X67	7.5	13.19	5.23	3.17	2.44	6.38	X67-A



## T FORM 8

## FORM 9

Pipe Size	FERROUS CATALOG #	Nominal Weight	A	B	C	D	E	ALUMINUM CATALOG #
1/2"	T50	1.8	6.69	1.79	2.20	1.00	3.31	T50-A
3/4"	T75	2.5	7.78	2.04	2.35	1.19	3.94	T75-A
1"	T100	3.3	9.31	2.29	2.67	1.38	4.56	T100-A
1-1/4"	T125	4.9	11.00	2.67	3.20	1.75	5.31	T125-A
1-1/2"	T150	7.5	13.38	2.82	4.04	2.13	6.50	T150-A
2"	T200	11.7	16.25	3.60	5.04	3.00	8.56	T200-A
2-1/2"	T250	19.8	19.63	4.48	6.73	4.25	10.88	T250-A
3"	T300	23.5	19.63	4.85	6.73	4.25	10.88	T300-A
3-1/2"	T350	21.0	22.75	5.73	8.17	5.44	13.44	T350
4"	T400	24.0	22.75	5.98	8.17	5.44	13.44	T400

## REPLACEMENT SCREW KITS

CATALOG #	Description
SCREW-KIT-1	1/2-3/4 FORM 8 ENCAP SCREWS
SCREW-KIT-2	1-1 1/4 FORM 8 ENCAP SCREWS
SCREW-KIT-3	1 1/2 FORM 8 ENCAP SCREWS
SCREW-KIT-4	2 FORM 8 ENCAP SCREWS
SCREW-KIT-5	2 1/2-3 FORM 8 ENCAP SCREWS
SCREW-KIT-6	3 1/2-4 FORM 8 ENCAP SCREWS
SCREW-KIT-7	1/2 OE ENCAP SCREWS
SCREW-KIT-8	3/4 OE ENCAP SCREWS
SCREW-KIT-9	1 1/4 LBD ENCAP SCREWS
SCREW-KIT-10	1 1/2 LBD ENCAP SCREWS
SCREW-KIT-11	2 LBD ENCAP SCREWS
SCREW-KIT-12	2 1/2-3 LBD ENCAP SCREWS
SCREW-KIT-13	2 1/2-3 MARK 9 ENCAP SCREWS
SCREW-KIT-14	3 1/2-4 MARK 9 ENCAP SCREWS

## T FORM 7

Pipe Size	FERROUS CATALOG #	Nominal Weight	A	B	C	D	E	ALUMINUM CATALOG #
1/2"	T17	1.5	6.63	1.79	2.48	0.94	3.19	T17-A
3/4"	T27	2.1	7.75	2.04	2.67	1.13	3.81	T27-A
1"	T37	2.9	9.25	2.29	3.04	1.38	4.50	T37-A
1-1/4"	T47	3.6	9.94	2.35	3.23	1.75	5.00	T47-A
1-1/2"	T57	4.5	11.19	2.60	3.60	1.94	5.44	T57-A
2"	T67	6.5	13.19	3.17	4.17	2.44	6.38	T67-A
2-1/2"	T77	10.7	16.00	3.67	5.79	3.56	8.38	T77-A
3"	T87	15.4	16.06	4.42	5.79	3.56	8.38	T87-A
3-1/2"	T97	19.0	18.31	4.92	6.98	4.50	10.25	T97-A
4"	T107	21.0	18.31	5.42	6.98	4.50	10.25	T107-A

**SUBMITTAL APPROVED BY:**



# Conduit Bodies For General Service Locations

RETURN TO INDEX

PRINT THIS PAGE

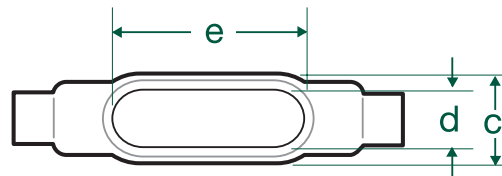
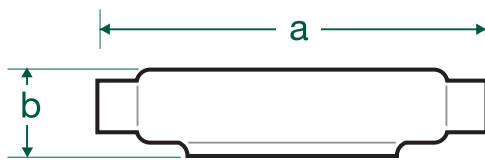
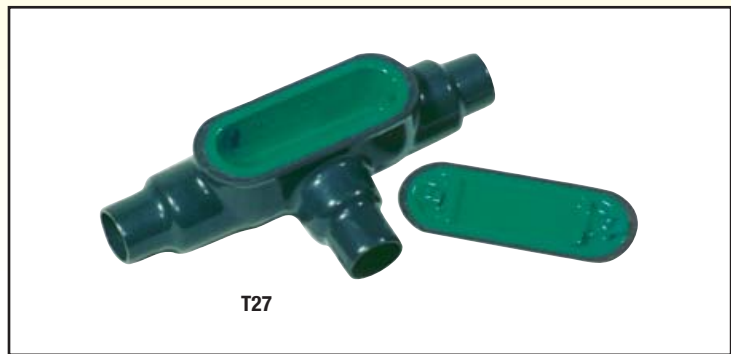
**PERMA-COTE** conduit bodies with covers are offered in Form 8 and Form 7 styles, each with numerous configurations to provide a complete coated conduit system. May be used to make 90° bends, for pull outlets, to provide for taps or splices, to act as a mounting outlet for wiring devices or lighting fixtures etc. Electrical continuity of the conduit system is maintained across assembled joints.

## FEATURES

- 40 mil gray PVC exterior coating
- 2 mil green urethane internal coating
- 10 trade sizes from 1/2" through 4"
- Sealing sleeves on all conduit openings
- Form 7 style cover uses retained stainless screw and wedge clip design
- Form 8 style cover uses plastic encapsulated stainless steel screws with retainers built into covers for trade sizes 1/2" through 2".

## COMPLIANCES

- UL Listed Standard 514B
  - CSA Standard: C22.2 No. 18
- Note: Form 7 fittings are not available with encapsulated screws. All cover screws are stainless steel. Form 8 fittings are shipped with encapsulated screws.



C FORM 8

FORM 9

C FORM 7

Pipe Size	FERROUS CATALOG #	Nominal Weight	A	B	C	D	E	
1/2"	C50	2.0	6.69	1.48	1.46	1.00	3.31	C50-A
3/4"	C75	2.3	7.78	1.73	1.27	1.19	3.94	C75-A
1"	C100	2.8	9.31	1.98	1.83	1.38	4.56	C100-A
1-1/4"	C125	4.5	11.00	2.42	2.27	1.75	5.31	C125-A
1-1/2"	C150	6.5	13.38	2.82	2.83	2.13	6.50	C150-A
2"	C200	10.3	14.25	3.60	3.83	3.00	8.56	C200-A
2-1/2"	C250	18.0	17.63	4.48	5.08	4.25	10.88	C250-A
3"	C300	20.5	17.63	4.85	5.08	4.25	10.88	C300-A
3-1/2"	10.0	20.75	5.73	6.33	5.44	13.44	C350	
4"	12.0	20.75	5.73	6.33	5.44	13.44	C400	

Pipe Size	FERROUS CATALOG #	Nominal Weight	A	B	C	D	E	ALUMINUM CATALOG #
1/2"	C17	1.0	6.38	1.42	1.46	0.94	3.19	C17-A
3/4"	C27	1.4	7.50	1.67	1.64	1.13	3.81	C27-A
1"	C37	2.2	9.00	1.92	1.83	1.38	4.50	C37-A
1-1/4"	C47	2.7	9.94	2.35	2.27	1.75	5.00	C47-A
1-1/2"	C57	4.0	11.19	2.60	2.52	1.94	5.44	C57-A
2"	C67	5.5	11.19	3.17	3.08	2.44	6.38	C67-A
2-1/2"	C77	10.0	14.00	3.67	4.33	3.56	8.38	C77-A
3"	C87	11.8	13.75	4.42	4.33	3.56	8.38	C87-A

## SUBMITTAL APPROVED BY:

## CUSTOMIZED COATING

Because of our expertise in anti-corrosion coating technologies, we offer capabilities for custom coating electrical products. For additional information please contact your PERMA-COTE sales rep or contact our manufacturing facility at: 903-843-4388.